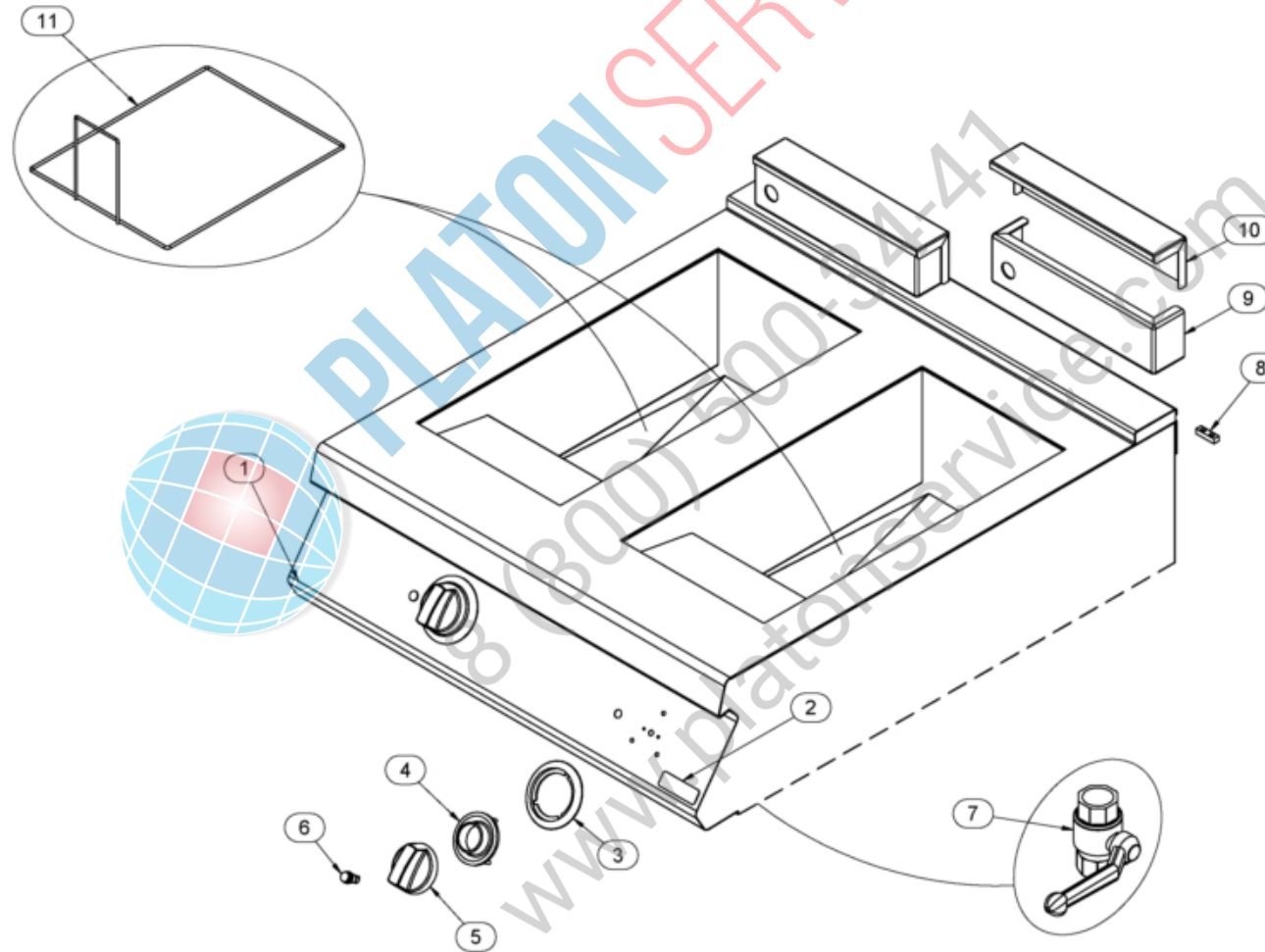


Mod./Type: 70/... FRE ...X  
90/... FRE ...X

cod./num. 2532171.00

data/date: 04/05/2015





## EXPLODED VIEW TOP EXTERIOR

Pos.	Code	Description	From	To
0001	9111556.00	ASS.CRUSCOTTO 80 FRG/FRE VL VS		
0002	682.008.00	MODULAR LOGO 70X22	1/1/2014	5/11/2015
0002	682.008.13	MARCHIO "modular" 70x22 AL. RAL2002	5/12/2015	
0003	910.174.00	SERIGR. RING 100-180°C		
0004	256.218.00	LABYRINTH BLACK KNOB		
0005	951.071.00	EL.KNOB Ø6 D74 ANOD.PK		
0006	963.013.00	ORANGE LAMP 230V D.12 EM		
0007	678.007.00	BALL VALVE WITH LEVER		
0008	941.130.00	PIASTRINA GIUNZIONE POST.APP.EM		
0009	6211990.00	ALZATINA 70/40 FRE10L VS *****		
0010	6211991.00	COPERTURA ALZATINA 70/40 FRE10L VS		
0011	683.001.23	FILTER FOR EL.FRYER		

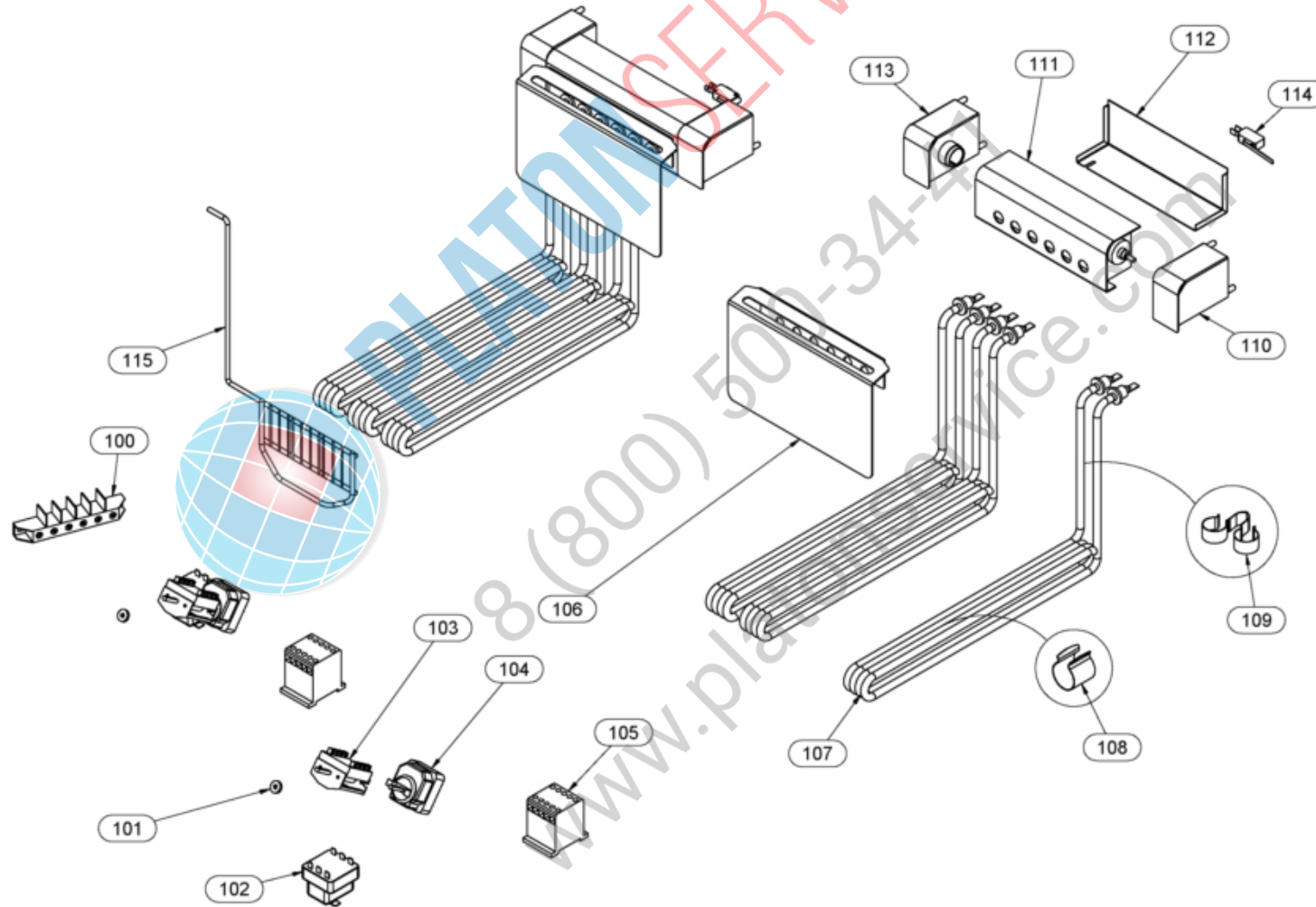


PLATON SERVICE  
8 (800) 500-34-41  
www.platonservice.com

Mod./Type: 70/... FRE...X  
90/... FRE...X

cod./num. 2531921.00

data/date: 26/11/2014





**EXPLODED VIEW TOP**

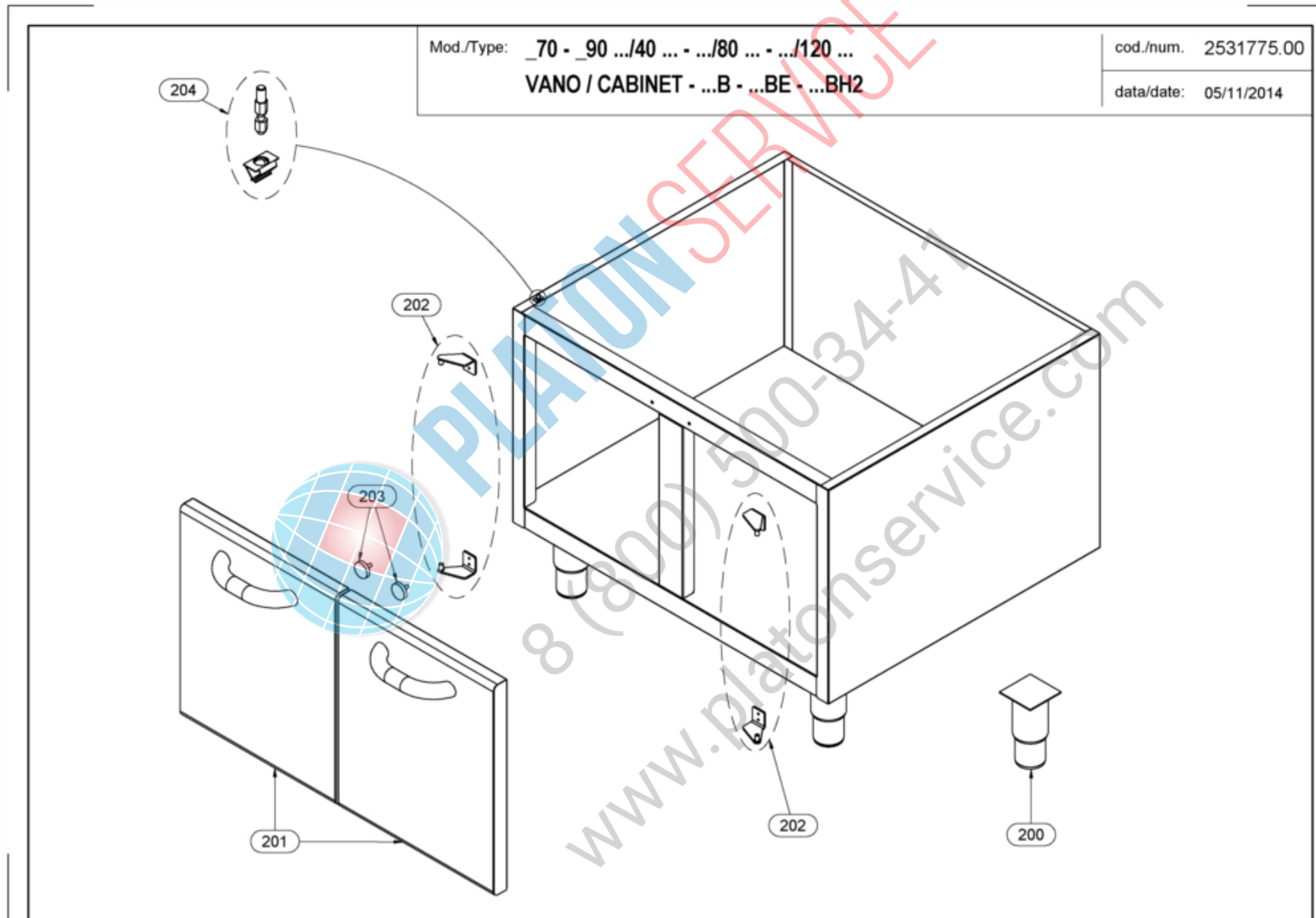
Pos.	Code	Description	From	To
0100	963.007.00	MORSETT. FV122 V/V - 6 POLI 40A****		
0101	953.020.00	WASHER		
0102	661.048.00	SAFETY THERMOSTAT EGO 55.32545.800		
0103	661.000.00	ON-OFF SWITCH EGO 49.41015.30		
0104	661.041.00	THER.WITH PROTEC.100-180°5534034801		
0105	461.021.00	REMOTE CONTROL SWITCH		
0106	6211992.00	PROTEZIONE RESIST. FRE VS *****		
0107	665.089.00	HEATING ELEMENT FRE 3000W 230V		
0108	238.003.00	CLIP FOR BULBS		
0109	238.002.00	BULB FIXING CLIP		
0110	256.420.00	KIT COLONNINA DX SUPP.RESIST. ASSIE		
0111	256.419.00	KIT SUPPORTO RESISTENZE FRIGG.		
0112	621.106.00	LOWER PROTEC.PLATE X HEAT.EL.FRE		
0113	611.042.00	LEFT HAND SUPPORT X HEATING ELEMENT		
0114	761.004.00	DOOR MICROSWITCH 16A		
0115	683.007.00	HEATING ELEMENTS HOLDING FRAME		



8 (800) 500-34-41  
www.platonservice.com



# EXPLODED VIEW CABINET/OVEN EXTERIOR





## EXPLODED VIEW CABINET/OVEN EXTERIOR

Pos.	Code	Description	From	To
0200	912.090.14	ASS.PIEDINO 2" H.135 FLANG.78x78x2		
0201	256.380.00	KIT ASS. PORTA VANO M40 PRATIKA		
0202	256.216.00	KIT ASS. CERNIERE X PORTA M40+BOCC.		
0203	984.006.00	MAGNET Ø20XH6 - M5X15 - 10KG		
0204	256.431.00	KIT AGGANCIAMENTO BASE VANO PERNO+MOLLA		



PLATON SERVICE  
8 (800) 500-34-41  
www.platonservice.com